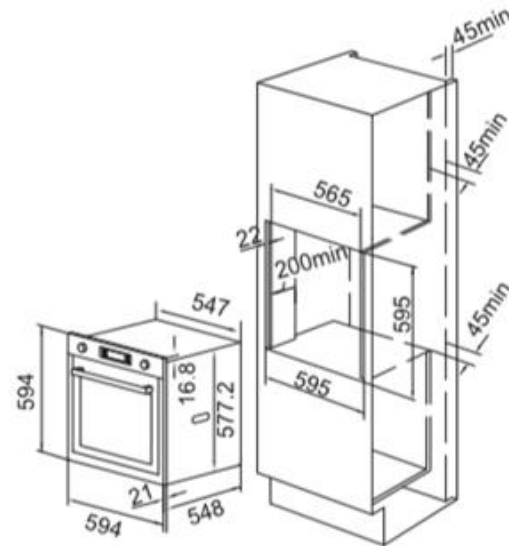


VULCANO



FEATURES

- 6 function oven
- Mechanical timer
- Convection fan
- 4 heating methods
- Auto safety switch off
- Safety glass door 2 layers glass
- Removable door
- 5 shelf position
- Cooling fan
- With air fryer
- Accessories: Tray (1), Rack (2), Air Fryer Basket

